

High Performance LED Cooling Solutions*

DIGI-KEY PART # ATS1363-ND

ATS PART # ATS-58002-C1-R0

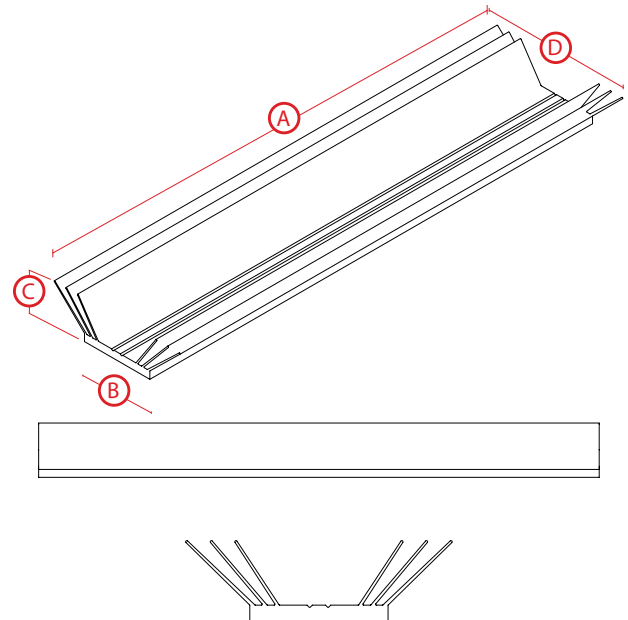
Features & Benefits

Designed for cooling linear LED lighting products

maxiFLOW™ design features a low profile, spread fin array that maximizes surface area for more effective convection (air) cooling

Reduces LED temperatures by more than 50%

Fabricated from extruded aluminum, which minimizes thermal resistance from the base to the fins, reduces weight and keeps costs low



Thermal Performance Table

AIR VELOCITY		THERMAL RESISTANCE	
FT/MIN	M/S	°C/W (UNDUCTED)	°C/W (DUCTED)
200	1.0	0.6	N/A
300	1.5	N/A	
400	2.0	0.4	
500	2.5	N/A	
600	3.0	0.4	
700	3.5	N/A	
800	4.0	N/A	

Product Details†

DIMENSION A	DIMENSION B	DIMENSION C [§]	DIMENSION D	TIM [‡]	FINISH
305	45	26	87	NO TIM	BLACK-ANODIZED

For further technical information, please contact Advanced Thermal Solutions, Inc. at **1-781-769-2800** or **www.qats.com**

* RoHS Compliant

‡ TIM = Thermal Interface Material

† Dimensions are measured in millimeters

§ Dimension C = the height of the heat sink shown above and does not include the height of the attachment method



ATS ADVANCED THERMAL SOLUTIONS, INC.

Innovations in Thermal Management®



To place an order, please visit **www.digikey.com**